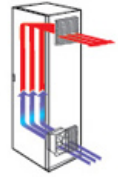
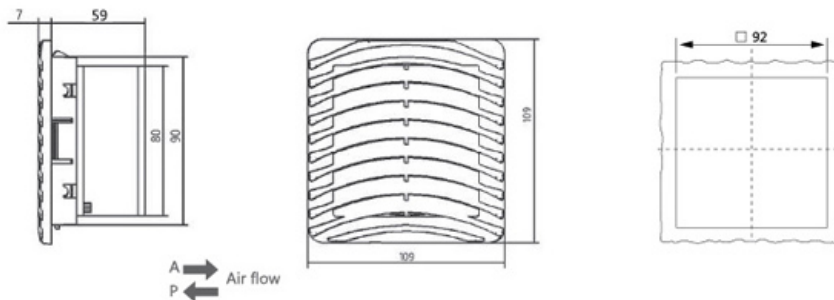


# FK5521 series filter



Cabinet Ventilation

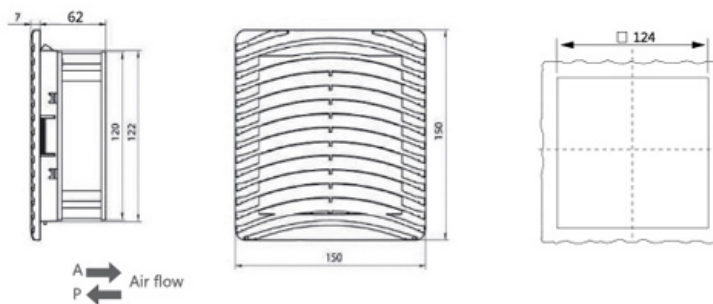
Fan and filter	Fan and filter	Exit filter	Installing section
FK 5521...	FK 5521.230	FK 5521.300	FK 5521...



CODE		Exit filter	Fan and filter	Fan and filter	Fan and filter
TYPE	M.U	FK5521.300	FK5521.230	FK5521.115	FK5521.024
Voltage/phase/frequency	V-ph-Hz		220-240/1/50-60	110-120/1/50-60	24DC
Height/Width/Depth	mm	109×109×21	109×109×59	109×109×59	109×109×59
Power/Current	W/A		13/0.08-0.07	15/0.15-0.13	9.6/0.4
Temperature limits	°C		-30/+70	-30/+70	-30/+70
Protection degree	IP	54	54	54	54
Noise level	dB(A)		35	30	30
Air flow	m <sup>3</sup> /h		35	35	35
Air flow (+FK5521.300)	m <sup>3</sup> /h		24/27	24/27	24/27
Air flow direction			A/P	A/P	A/P

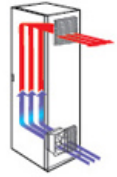


Fan and filter	Fan and filter	Exit filter	Installing section
FK 5522 ...	FK 5522.230	FK 5522.300	FK 5522...



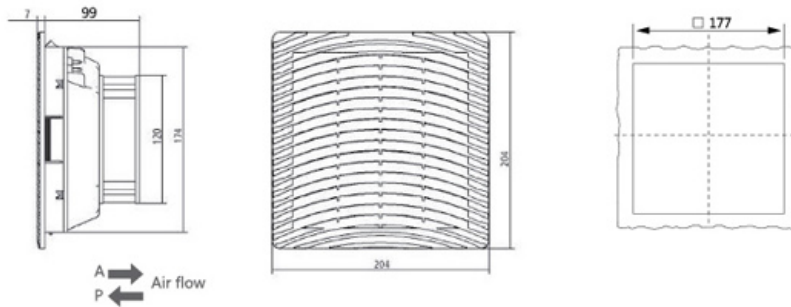
CODE		Exit filter	Fan and filter	Fan and filter	Fan and filter
TYPE	M.U	FK5522.300	FK5522.230	FK5522.115	FK5522.024
Voltage/Phase/Frequency	V-ph-Hz		230-1-50/60	115/1/50-60	24DC
Height/Width/Depth	mm	150×150×21	150×150×62	150×150×62	150×150×62
Power/Current	W/A		30-22/0.14-0.1	26-22/0.24-0.21	7.2/0.43
Temperature limits	°C		-30/+70	-30/+70	-30/+70
Protection degree	IP	54	54	54	54
Noise level	dB(A)		45	45	45
Air flow	m³/h		67	67	67
Air flow (+FK5522.300)	m³/h		50/58	50/58	50/58
Air flow direction			A/P	A/P	A/P

# FK5523 series filter

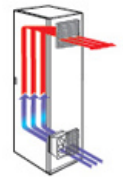


Cabinet Ventilation

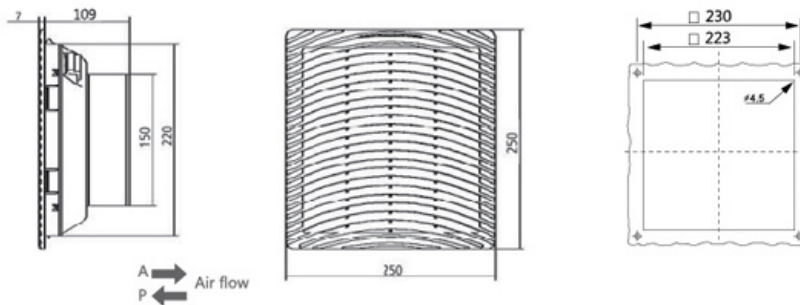
Fan and filter	Fan and filter	Exit filter	Installing section
FK 5523...	FK 5523.230	FK 5523.300	FK 5523...



CODE		Exit filter	Fan and filter	Fan and filter	Fan and filter
TYPE	M.U	FK5523.300	FK5523.230	FK5523.115	FK5523.024
Voltage/Phase/Frequency	V-ph-Hz		230-1-50/1/60	115/1/50-60	24DC
Height/Width/Depth	mm	204×204×25	204×204×99	204×204×99	204×204×99
Power/Current	W/A		30-22/0.14-0.1	26-22/0.24-0.21	7.2/0.43
Temperature limits	°C		-30/+70	-30/+70	-30/+70
Protection degree	IP	54	54	54	54
Noise level	dB(A)		45	45	45
Air flow	m <sup>3</sup> /h		105/120	105/120	105/120
Air flow (+FK5523.300)	m <sup>3</sup> /h		85/100	85/100	85/100
Air flow direction			A/P	A/P	A/P

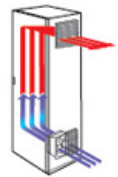


Fan and filter	Fan and filter	Exit filter	Installing section
FK 5524 ...	FK 5524.230	FK 5524.300	FK 5524...



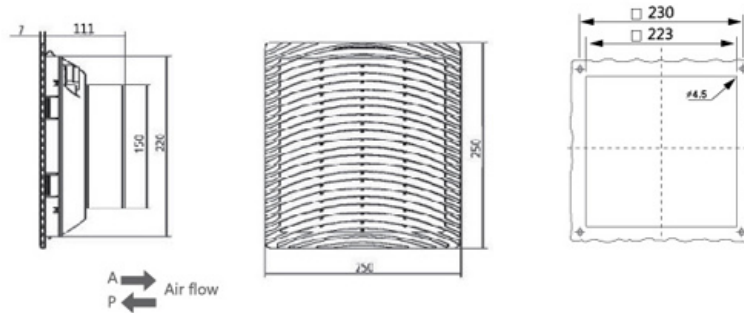
CODE		Exit filter	Fan and filter	Fan and filter	Fan and filter
TYPE	M.U	FK5524.300	FK5524.230	FK5524.115	FK5524.024
Voltage/Phase/Frequency	V-ph-Hz		230-1-50/60	115-1-50/60	24DC
Height/Width/Depth	mm	250×250×25	250×250×109	250×250×109	250×250×109
Power/Current	W/A		41-38/0.48-0.46	41-38/0.26-0.24	14/0.58
Temperature limits	°C		-30/+70	-30/+70	-30/+70
Protection degree	IP	54	54	54	54
Noise level	dB(A)		48/50	48/50	50
Air flow	m <sup>3</sup> /h		240/220	240/220	220
Air flow (+FK5524.300)	m <sup>3</sup> /h		120/150	120/150	120/150
Air flow direction			A/P	A/P	A/P

# FK5525 series filter



Cabinet Ventilation

Fan and filter	Fan and filter	Exit filter	Installing section
FK 5525...	FK 5525.230	FK 5525.300	FK 5525...

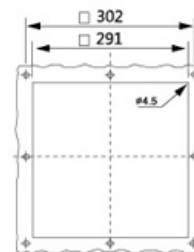
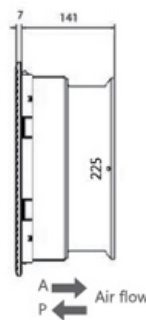
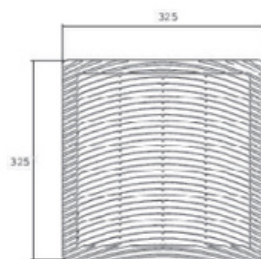


CODE		Exit filter	Fan and filter	Fan and filter
TYPE	M.U	FK5525.300	FK5525.230	FK5525.115
Voltage/Phase/Frequency	V-ph-Hz		230-1-50/60	115-1-50/60
Height/Width/Depth	mm	250×250×25	250×250×111	250×250×111
Power/Current	W/A		59-46/0.33-0.28	47-42/0.50
Temperature limits	°C		-30/+70	-30/+70
Protection degree	IP	54	54	54
Noise level	dB(A)		52	52
Air flow	m <sup>3</sup> /h		230/265	230/265
Air flow (+FK5525.300)	m <sup>3</sup> /h		170/230	170/230
Air flow direction			A/P	A/P


 Fan and filter  
FK 5526 ...

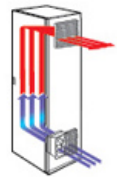
 Fan and filter  
FK 5526.230

 Exit filter  
FK 5526.300

 Installing section  
FK 5526...


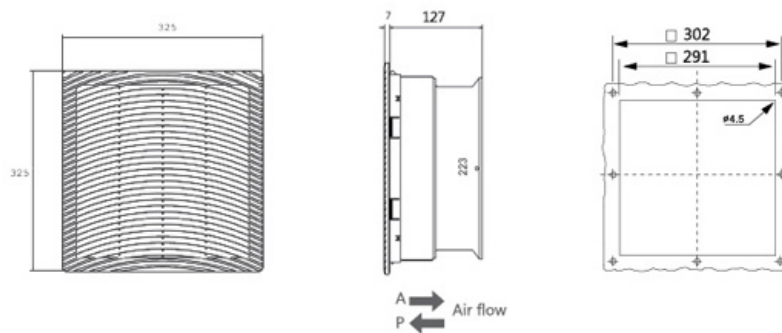
CODE		Exit filter	Fan and filter	Fan and filter
TYPE	M.U	FK5526.300	FK5526.230	FK5526.115
Voltage/Phase/Frequency	V-ph-Hz		230-1-50/1/60	115/1/50-60
Height/Width/Depth	mm	325×325×25	325×325×141.5	325×325×141.5
Power/Current	W/A		63/0.29	61/0.61
Temperature limits	°C		-30/+70	-30/+70
Protection degree	IP	54	54	54
Noise level	dB(A)		59	59
Air flow	m³/h		550/600	550/600
Air flow (+FK5526.300)	m³/h		360/490	360/490
Air flow direction			A	A

# FK5527 series filter



Cabinet Ventilation

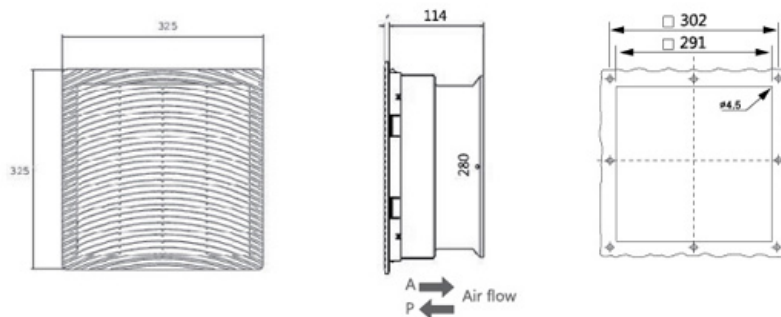
Fan and filter	Fan and filter	Exit filter	Installing section
FK 5527...	FK 5527.230	FK 5527.300	FK 5527...



CODE		Exit filter	Fan and filter	Fan and filter
TYPE	M.U	FK5527.300	FK5527.230	FK5527.115
Voltage/Phase/Frequency	V-ph-Hz		230-1-50/1/60	115/1/50-60
Height/Width/Depth	mm	325×325×25	325×325×127	325×325×127
Power/Current	W/A		50/0.26	50/0.46
Temperature limits	°C		-30/+70	-30/+70
Protection degree	IP	54	54	54
Noise level	dB(A)		59	59
Air flow	m³/h		650/800	650/800
Air flow (+FK5527.300)	m³/h		500/600	500/600
Air flow direction			A	A



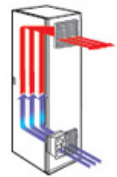
Fan and filter	Fan and filter	Exit filter	Installing section
FK 5528 ...	FK 5528.230	FK 5528.300	FK 5528 ...



CODE		Exit filter	Fan and filter	Fan and filter
TYPE	M.U	FK5528.300	FK5528.230	FK5528.115
Voltage/Phase/Frequency	V-ph-Hz		230-1-50/1/60	115/1/50-60
Height/Width/Depth	mm	325×325×25	325×325×114	325×325×114
Power/Current	W/A		63/0.29	61/0.61
Temperature limits	°C		-30/+70	-30/+70
Protection degree	IP	54	54	54
Noise level	dB(A)		59	59
Air flow	m³/h		1150/1350	1150/1350
Air flow (+FK5526.300)	m³/h		360/490	360/490
Air flow direction			A	A

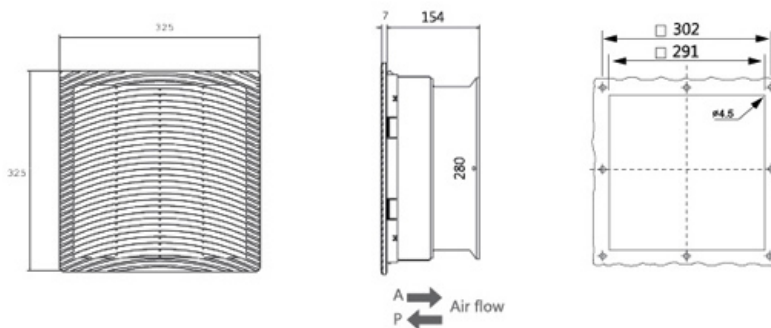


# FK5529 series filter



Cabinet Ventilation

Fan and filter	Fan and filter	Exit filter	Installing section
FK 5529...	FK 5529.230	FK 5529.300	FK 5529...



CODE		Exit filter	Fan and filter	Fan and filter
TYPE	M.U	FK5529.300	FK5529.230	FK5529.115
Voltage/Phase/Frequency	V-ph-Hz		230-1-50/1/60	115/1/50-60
Height/Width/Depth	mm	325×325×25	325×325×154	325×325×154
Power/Current	W/A		140.0-105.0 /0.62-0.48	136.0-110.0/1.2-1.1
Temperature limits	°C		-30/+70	-30/+70
Protection degree	IP	54	54	54
Noise level	dB(A)		63/65	63/65
Air flow	m³/h		1150/1350	1150/1350
Air flow (+FK5527.300)	m³/h		500/600	500/600
Air flow direction			A	A