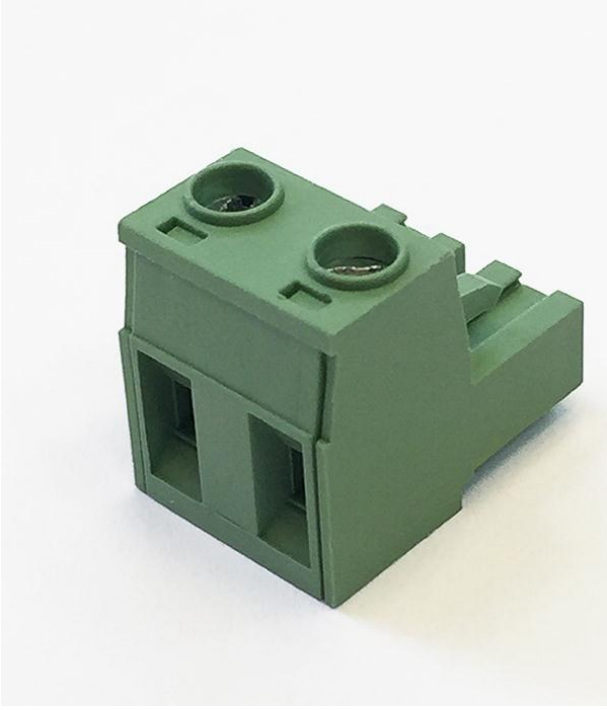


7,62 mm SOCKET TERMINAL SERIES FEMALE



Production Code : 232 SBDK-D
*Order No: Page 3

7,62 mm



7,62 mm printed circuit terminal is suitable for female conductor cross section of 0,25 -2,5 mm² .

- Pin range : 7,62 mm
- Voltage : 400 V
- Current : 16 A

TECHNICAL DATA

Dimensions

Width	13,25 mm
Height	15,95 mm
Depth	18,15 mm
Pin range	7,62 mm
Pin thickness	-
Pin hole diameter	-

Technical data

Current	16 A
Voltage	400 V
Cable cross section	0,25 – 2,5 mm ²
Screw size	M3
Nominal torque	0,25 Nm
Flammability rating	V0
Coating	µ3+AG

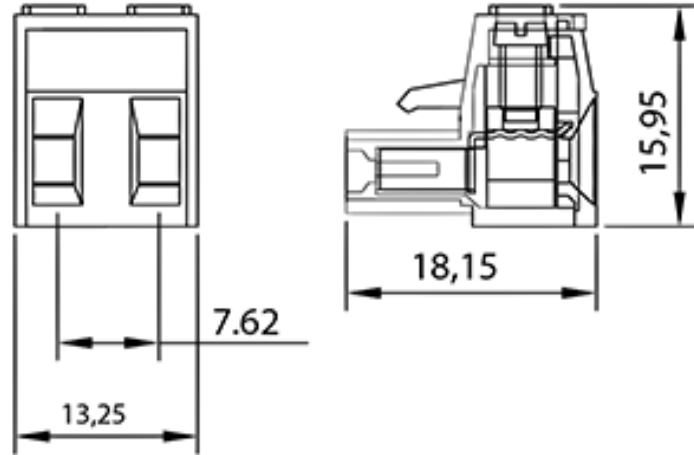
GENERAL ORDERING DATA

Type	7,62 mm Socket Terminal Series Pin 2					
Color	Blue	Green	Orange	Black	Grey	Red
Order No	10.702	11.702	12.702	13.702	14.702	15.702
Qty	200 pcs					
Product data	16 A /400 V / 0,25 – 2,5 mm ² / 7,62 mm					
Package weight	0,8 kg					
Packaging	Box					
Min. Order Qty	200 pcs					
Country of origin	TURKEY					

* Stock color is BLUE and GREEN.

DRAWINGS/DIAGRAM

Drawings



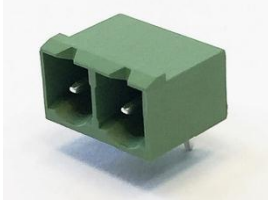
CERTIFICATES

CERTIFICATE	ISSUED BY
TS 10487 EN 60998-2-1	TSE
CE	SZUTEST TECHNICAL INSPECTION AND CERTIFICATION SERVICES CO. LTD.
RoHs	İNTERTEK TEST HİZMETLERİ A.Ş.

COMBINE PRODUCTS

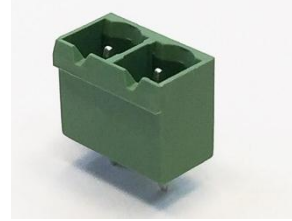
7,62 mm Socket Terminal Series

Male 90° - Pin 2



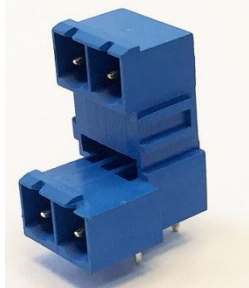
7,62 mm Socket Terminal Series

Male 180° - Pin 2



7,62 mm Socket Terminal Series

Layered Male 90° - Pin 2



7,62 mm Socket Terminal Series

Layered Male 180° - Pin 2

