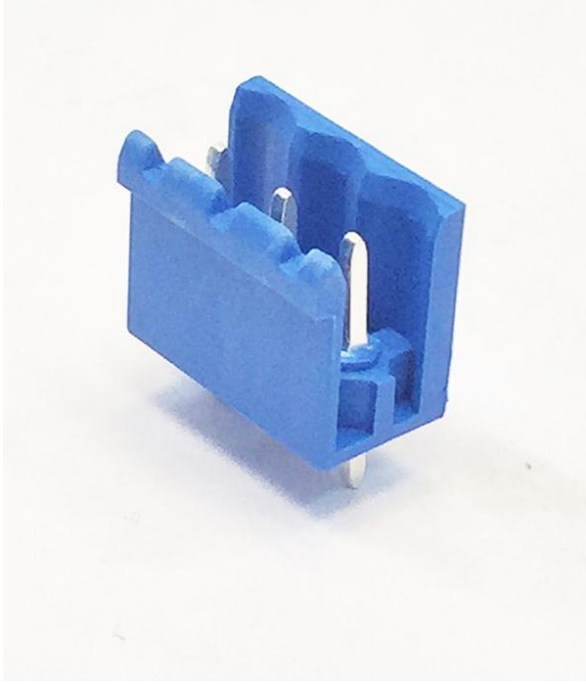


5,08 mm SOCKET TERMINAL SERIES MALE 180° OPEN



Production Code : 203 SBDK-E
*Order No: Page 3

5,08 mm



5,08 mm printed circuit terminal male 180° open

- Pin range : 5,08 mm
- Pin thickness: 1x1 mm
- Voltage : 250 V
- Current : 16 A

TECHNICAL DATA

Dimensions

Width	15,12 mm
Height	12,00 mm
Depth	8,00 mm
Pin range	5,08 mm
Pin thickness	1x1 mm
Pin hole diameter	1,55 mm

Technical data

Current	16 A
Voltage	250 V
Cable cross section	-
Screw size	-
Nominal torque	-
Flammability rating	V0
Coating	µ3+AG

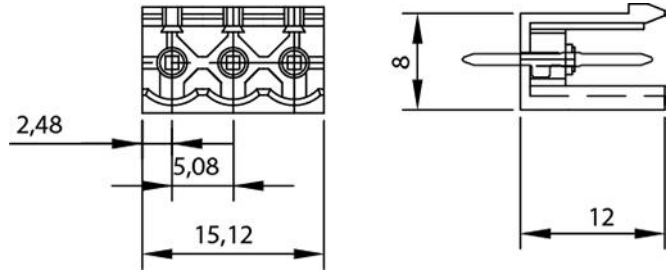
GENERAL ORDERING DATA

Type	5,08 mm Socket Terminal Series Male 90° Open Pin 3					
Color	Blue	Green	Orange	Black	Grey	Red
Order No	10.353	11.353	12.353	13.353	14.353	15.353
Qty	100 pcs					
Product data	16 A /250 V / 5,08 mm					
Package weight	0,13 kg					
Packaging	Box					
Min. Order Qty	100 pcs					
Country of origin	TURKEY					

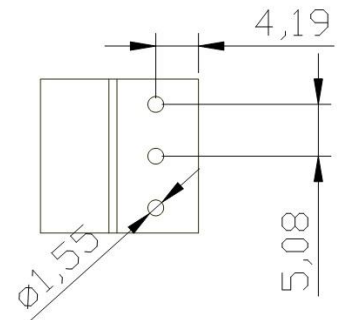
* Stock color is BLUE and GREEN.

DRAWINGS/DIAGRAM

Drawings



Diagram



CERTIFICATES

CERTIFICATE	ISSUED BY
TS 10487 EN 60998-2-1	TSE
CE	SZUTEST TECHNICAL INSPECTION AND CERTIFICATION SERVICES CO. LTD.
RoHS	İNTERTEK TEST HİZMETLERİ A.Ş.

COMBINE PRODUCTS

5,08 mm Socket Terminal Series Female – Pin 3



5,08 mm Socket Terminal Series Vertical Female – Pin 3

