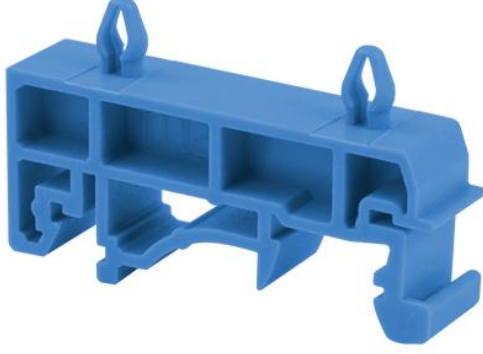


RAIL DISTANCE SERIES – RAIL DISTANCE NON SCREW



Production Code : 407
*Order No: Page 3



Rail distance was produces to facilitate the assembly of clamp terminal card in rails [u] and [t] and to provide an effective insulation at the bottom of the clamp terminal card. Appropriate for screw and non-screw use.

TECHNICAL DATA

Dimensions

Width	43,70 mm
Height	19,85 mm
Depth	9,90 mm
Rail type	17 mm U and 35 mm T
Pin thickness	-
Pin hole diameter	4 mm

Technical data

Current	-
Voltage	-
Cable cross section	-
Screw size	-
Nominal torque	-
Flammability rating	V0
Coating	-

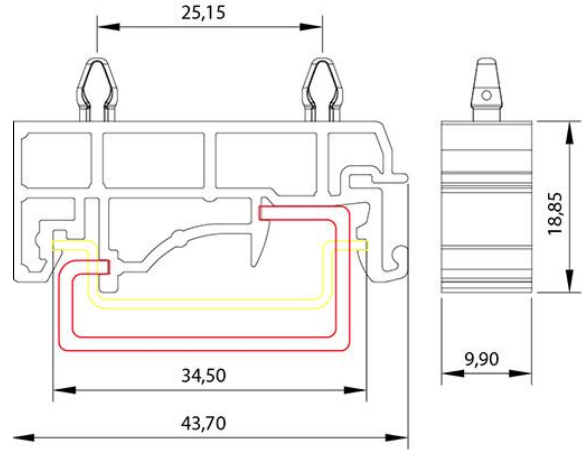
GENERAL ORDERING DATA

Type	Rail Distance Series – Rail Distance Non Screw					
Color	Blue	Green	Orange	Black	Grey	Red
Order No	60.340	61.340	62.340	-	-	-
Qty	100 pcs					
Package weight	0,35 kg					
Packaging	Box					
Min. Order Qty	100 pcs					
Country of origin	TURKEY					

* Stock color is BLUE and GREEN. Orange is for high quantities.

DRAWINGS/DIAGRAM

Drawings



CERTIFICATES

CERTIFICATE	ISSUED BY
TS 10487 EN 60998-2-1	TSE
CE	SZUTEST TECHNICAL INSPECTION AND CERTIFICATION SERVICES CO. LTD.
RoHS	İNTERTEK TEST HİZMETLERİ A.Ş.