

SMD TERMINAL SERIES – UNSPRUNG



Production Code : 442 SMD
*Order No: Page 3

3,81 mm



SMD terminals which are used in the lighting sector, are specially designed for LED systems (items with/without spring) and provide optional solutions in LED strips. It is available with or without spring and suitable for 0,5 – 1 mm² cable sections.

- Pin range : 3,81 mm
- Voltage : 250 V
- Current : 5 A

TECHNICAL DATA

Dimensions

Width	10,05 mm
Height	3,90 mm
Depth	7,90 mm
Pin range	3,81 mm
Pin thickness	-
Pin hole diameter	-

Technical data

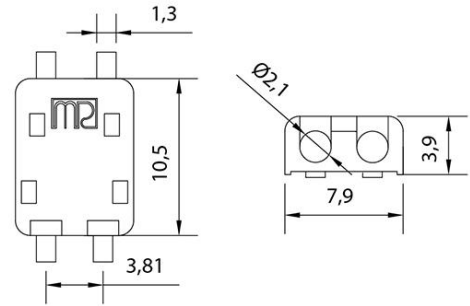
Current	5 A
Voltage	250 V
Cable cross section	0,5 – 1,5 mm ²
Screw size	-
Nominal torque	-
Flammability rating	V0
Coating	µ3+AG

GENERAL ORDERING DATA

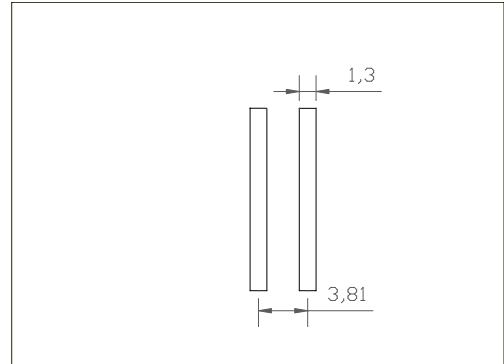
Type	Smd Terminal Series Unsprung
Color	Natural
Order No	49.000
Qty	1000 pcs
Product data	5 A /250 V / 0,5 – 1 mm ² / 3,81 mm
Package weight	0,54 kg
Packaging	Box
Min. Order Qty	1000 pcs
Country of origin	TURKEY

DRAWINGS/DIAGRAM

Drawings



Diagram



CERTIFICATES

CERTIFICATE	ISSUED BY
TS 10487 EN 60998-2-1	TSE
CE	SZUTEST TECHNICAL INSPECTION AND CERTIFICATION SERVICES CO. LTD.
RoHS	İNTERTEK TEST HİZMETLERİ A.Ş.